

SPOT-FREE CAR WASH WATER FILTER SYSTEM

INSTALLATION INSTRUCTION & OWNER'S MANUAL Ver 2.0



APEC WATER



www.FreeDrinkingWater.com

All Rights Reserved © APEC Water Systems

BEFORE INSTALLATION:

Inspect the system:

Please take the system and all the components out of the box. Inspect the system and all the connection fittings carefully, make sure nothing is damaged during shipping. If any part is cracked or broken, please do not proceed with the installation and contact APEC or your distributor for an exchange or diagnosis.

Recommended tools list:

- Screwdriver
- Plier or wrench

Operating Parameter:

- Operating pressure: 90 psi maximum. 75 psi recommended
- Feed water temperature: 100 °F maximum
- Do not connect this unit to hot water source
- Store the system in a sheltered environment, avoid exposure to hot and cold weather or under direct sunlight

General Installation/Operation/Maintenance Requirements:

- DO NOT use with water that is microbiologically unsafe or of unknown quality.
- Protect the Spot-free water filter and piping from freezing. Water freezing in the water filter will damage it.
- This water filter system will withstand up to 90 psi water pressure. If your house's water pressure is higher than 90 psi, install a pressure reducing valve before the system is installed.
- DO NOT use with HOT WATER. The temperature of the water supply to the water filter must be between 40 °F minimum and 100 °F maximum.
- DO NOT solder any fittings directly on the unit. The heat from the soldering process will damage the unit.

NOTE: DO NOT DRINK WATER FROM THIS SYSTEM, IT IS FOR USE ONLY!

Copyright:

This manual is copyrighted by APEC Inc. Under the copyright laws, this manual may not be reproduced in any form, in whole or part, without the prior written consent of APEC Inc. Manual print ver. 2.0, 2021 May.

Components included with the Spot-free Car Wash Water Filter System:

Make sure you have all these parts before starting installation.

Installation kit includes:



Required Accessories: (Not included)



2 Garden Hoses for inlet and outlet

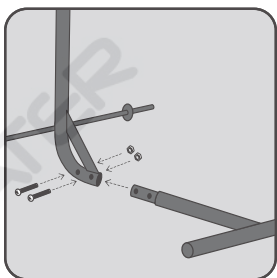


Spray nozzle or Pressure Washer

Installation instructions

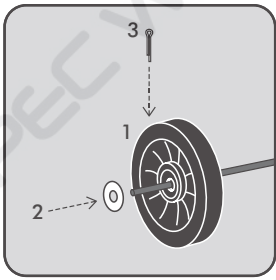
Part I. Assemble the cart, filters, and housings

Assemble T stand: (Installation Kit: 2 Screws and 2 lock nuts)



1. Insert and position the T stand to the bottom of the system so the two holes on the stand matches the two holes on the system bracket.
2. Place two screws into the holes and thread the lock nut onto the screw by hand until you encounter resistance.
3. Tighten the screw and lock nut firmly by turning clockwise with the help of a screw-driver and a plier or wrench.

Assemble the wheels: (Installation Kit: 2 Washer and 2 split pins)



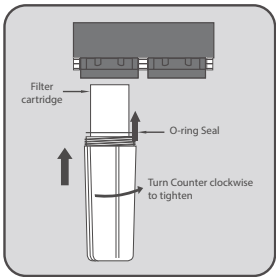
1. Install a wheel on one side of the axle.
2. Insert one washer supplied with the installation kit.
3. Slide the split pin all the way in as far as it will go and then use your plier to bend the pin over to secure the wheel.
4. Repeat steps 1 to 3 for the other wheel.

Assemble the handle: (Installation Kit: 2 Screws and 2 lock nuts)



1. Insert and position the handle to the top of the system so the two holes on the handle matches the two holes on the system bracket.
2. Place two screws into the holes and thread the lock nut onto the screw by hand until you encounter resistance.
3. Tighten the screw and lock nut firmly by turning clockwise with the help of a screwdriver and a pliers or wrench.

Assemble canister: (Installation Kit: 2 Deionization filters, 2 canister, and system bracket)

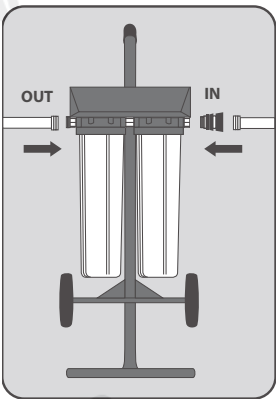


1. Place a new deionization filter cartridge into each canister, make sure it is centered and completely seated on the bottom seal. Also make sure the arrow on filter cartridge is **pointing up**.
2. Install the canister to its cap on the system bracket. Hand tightening is all that is required to seal the unit. You can use a wrench to slightly give the housing an additional 1/2 turn, but **DO NOT OVERTIGHTEN**.

Part II. Connect hoses to the system

Connect the inlet and outlet hoses: (Required Accessories: 2 Garden hoses and 1 spray nozzle)

Inlet Hose:



1. Make sure to turn off your incoming water outlet.
2. Use the brass hose quick connect to attach the 1st garden hose to the side of the system indicating "IN". (Right side when facing the front of the system).
3. Connect the other end of the 1st garden hose to the incoming water outlet.

Outlet Hose:

1. Attach the 2nd garden hose to the side of the system indicating "OUT". (Left side when facing the front of the system).
2. Attach your spray nozzle or pressure washer to the other end of the 2nd outlet garden hose.

NOTE: Please make sure the output for the sprayer is 2.5 gpm or less.

STARTING THE SYSTEM

1. Slowly turn on the incoming water to the system.
2. Check for leaks.

3. Allow the system to run while cleaning up tools and work area.
4. Wait for system to fill and flush the cartridge for 5 minutes before using the water to ensure the filter are completely soaked in.

STORING THE SYSTEM

Store the system after each usage:

1. Turn off the incoming water to the system.
2. Release water and build up pressure in the filter canister from the sprayer until water stops flowing.
3. Disconnect the inlet garden hose to the system.
4. Store the system in a sheltered environment, avoid exposure to hot and cold weather or under direct sunlight.

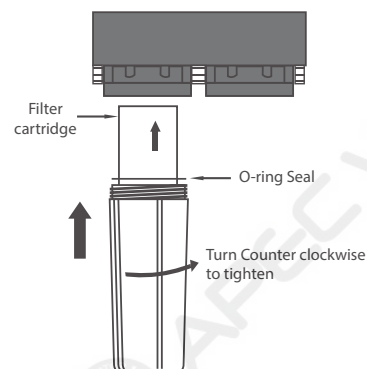
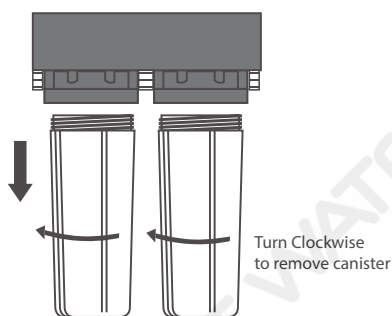
If you will not be using the system for a long duration:

1. Turn off the incoming water to the system.
2. Release water and build up pressure in the filter canister from the sprayer until water stops flowing.
3. Disconnect the inlet garden hose to the system.
4. Unscrew the filter canister remove the filter cartridge and drain the water out of the water housing.
5. Allow time for the filter cartridge and housing to drip dry.
6. Place the filter cartridge back into the canister make sure it is centered and completely seated on the bottom seal.
7. Reinstall the housing to its cap. Hand tightening is all that is required to seal the unit. You can use a wrench to slightly give the canister an additional $\frac{1}{2}$ turn, but DO NOT OVERTIGHTEN.
8. Store the system in a sheltered environment, avoid exposure to hot and cold weather or under direct sunlight.

FILTER CARTRIDGE REPLACEMENT

You should change your filter cartridge when the TDS reading is higher than 20 ppm or at least every 6 to 12 months.

1. Turn off the water to the system. Water must be shut off from the incoming water source.
2. Release water and build up pressure in the filter canister from the sprayer until water stops flowing.
3. Unscrew the filter housing by turning clockwise and discard used cartridge. Wash the filter housing with mild soap and water. Do not use harsh cleaners or hot water.
4. Inspect the filter housing O-ring. Make sure it is lightly lubricated and completely seated in the groove. It is recommended that you replace the O-ring when you replace the filter.
5. Place a new filter cartridge into the canister, make sure it is centered and completely seated on the bottom seal.
6. Reinstall the canister to its cap. Hand tightening is all that is required to seal the unit. You can use a wrench to slightly give the housing an additional $\frac{1}{2}$ turn, but DO NOT OVERTIGHTEN.
7. Slowly turn on water to the filter and check for leaks.
8. After installation, flush the cartridge for 5 minutes before using the water to ensure the filter are completely soaked in.



LIMITED PRODUCT WARRANTY

Scope

APEC takes pride in selling a superb line of products, including this Spot-free Deionization Water Filtration System ("Product"). As such, APEC expressly warrants to the original purchaser that, for a period of one (1) year from the date of purchase, the Product will be reasonably free of defects in materials and workmanship. Within that one (1) year period from the original purchase, APEC will, at its option, repair or replace the Product without charge, or refund the cost of the Product, if the Product fails or does not perform as warranted solely due to a manufacturing defect within the warranty period, subject to the limitations and exclusions set forth in this Limited Product Warranty. This Limited Product Warranty only applies when the Product is used, stored, handled, fabricated and/or installed in the manner recommended by APEC in the Installation Instruction & Owner's Manual ("Manual").

Repair or Replacement

Repair or replacement during this one (1) year warranty shall include reasonable labor charges necessary to repair or replace the defective Product, but shall not include freight charges or any other local labor charges from third parties other than APEC, unless APEC expressly approves such charges in writing. During the entire one (1) year warranty, APEC's obligation to repair or replace shall further be limited to repair or replacement with the styles, models, products, colors, etc. of the Product that are available at the time of the repair or replacement, and shall be limited to the repair or replacement of only the specific Product that fails due to a manufacturing defect. Any repaired or replaced product shall also remain subject to the original one (1) year warranty from the date of the original purchase, and any repair or replacement shall not extend the original warranty period in any manner or start a new warranty period.

Conditions of Validity of this Limited Product Warranty

Even though the Product has extremely high endurance for operating conditions such as pH, maximum TDS, temperature, and optimum water pressure, THIS LIMITED PRODUCT WARRANTY SHALL ONLY BE VALID IF:

1. The replaceable filters are changed and maintained on a regular basis as directed in the Manual. Moreover, depending on local water input water quality, regular maintenance may need to be increased.
2. The Product is operated within the confines of the following standard operating conditions:

	Water Pressure	Water Temperature
Spot-free Car Wash Water Filtration System	Max. 90 psi	Max. 100 °F

Any information or suggestion by APEC with respect to the Product concerning applications, specifications or compliance with codes and standards is provided solely for your convenient reference and is made without any representation as to accuracy or suitability. You must verify and test the suitability of any information with respect to the Product for your specific application.

Non-Covered Defects

THIS LIMITED PRODUCT WARRANTY DOES NOT COVER DEFECTS CAUSED BY:

1. Improper storage, installation, maintenance, handling, use and/or alterations of the Product, including, but not limited to, non-compliance with the installation, maintenance and standard operation conditions stated in the Manual and this Limited Product Warranty.
2. Unreasonable use, unintended use, or misuse of the Product for something other than its intended purpose.
3. Use of replacement parts, filters, or other accessories that are not sold or manufactured by APEC for use with this particular Product.
4. Damage not resulting from manufacturing defects that occur while the Product is in the original purchaser's possession.
5. Installation of the Product with known or visible manufacturing defects at the time of installation.
6. Damage caused by freezing, flood, fire or Act of God.

CONDITIONS THAT RENDER THIS LIMITED PRODUCT WARRANTY VOID

THIS LIMITED PRODUCT WARRANTY SHALL BE VOID IF:

1. The Product is not operated in compliance with normal municipal water conditions for which the particular model of this Product is intended.
2. The person seeking to invoke the warranty is not the original purchaser. That is, this Limited Product Warranty only extends to original purchasers.
3. The Product is purchased used. That is, this Limited Product Warranty only covers new products.
4. The Product is purchased from someone other than APEC or one of APEC's authorized dealers. This is because, unless the Product was sold by APEC or one of its authorized dealers, APEC cannot verify or guarantee the integrity or authenticity of the Product.

General Conditions

The warranties set forth herein are the only warranties made by APEC in connection with the product. APEC cannot and does not make any implied or express warranties with respect to the product, and disclaims all other warranties, including, but not limited to, any warranty of merchantability or fitness for a particular purpose. Products sold by APEC are sold only to the specifications specifically set forth by APEC in writing. Other than the limited product warranty set forth herein, APEC makes no other warranties, express or implied. APEC's sole obligation under this warranty shall be repair or replacement of a non-conforming product or parts of the product, or at the option of APEC, return of the product and a refund of the purchase price. Buyer assumes all risk whatsoever as to the result of the use of the product purchased, whether used singularly or in combination with any other products or substances.

No claim by the buyer/owner of any kind, including claims for indemnification, shall be greater in amount than the purchase price of the products in respect to which damages are claimed. In no event shall APEC be liable to buyer/owner in tort, contract or otherwise, for any special, indirect, incidental, consequential, reliance, statutory, special, punitive or exemplary damages, including, but not limited to, lost profits, loss of use, loss of time, inconvenience, damage to good will or reputation, or loss of data, even if advised of the possibility of such damages or such damages could have been reasonably foreseen, in connection with, arising out of, or as a result of, the sale, delivery, servicing, use or loss of use of the products sold hereunder, or for any liability of buyer to any third party with respect thereto.

Obtaining Warranty Coverage or General Inquiries

If coverage is available, you may obtain coverage under this Limited Product Warranty by providing APEC with proof of original purchase, and that you are the original purchaser. For service under this Limited Product Warranty, you must notify APEC by phone at 1-800-880-4808, by email at techsupport@freedrinkingwater.com, or in writing at 301 Brea Canyon Road, City of Industry, CA 91789. In making the claim, please provide your name, address, phone number, a description of the product involved, and an explanation of the defect.

California Proposition 65 Warning

 **WARNING:** This product contains chemicals known to the State of California to cause cancer or birth defects or other reproductive harm. For more information go to www.P65Warnings.ca.gov.



Advanced Purification Engineering Corp.

301 Brea Canyon Road
City of Industry, CA 91789

For questions or comments please visit our website at:

www.FreeDrinkingWater.com

For technical support contact us at:

Techsupport@freedrinkingwater.com
1-800-880-4808